

17 500 892

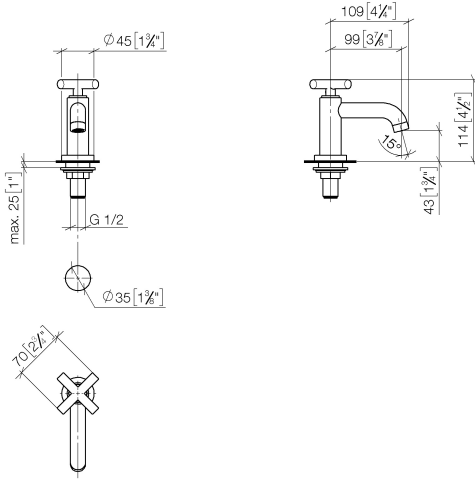


- 100mm projection
- fixed spout
- circular, air-enriched flow
- height of mixer 115 mm
- height up to aerator 40 mm
- hole diameter 35 mm
- 1/2" connection
- rosette Ø 45 mm
- max. flow 7 l/min
- lead-free
- This product can help a building meet the requirements of Green Building Rating Systems, e.g. LEED®, BREEAM®, DGNB

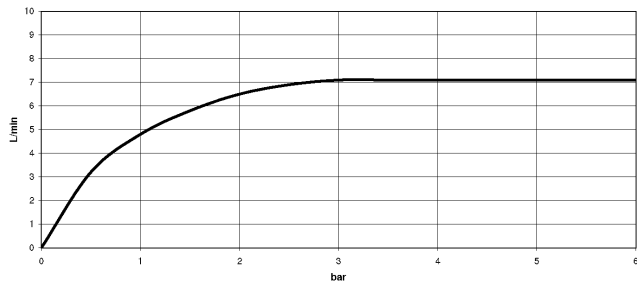
|   |                                |               |
|---|--------------------------------|---------------|
|  | Platinum                       | 17 500 892-08 |
|  | Chrome                         | 17 500 892-00 |
|  | Brushed Platinum               | 17 500 892-06 |
|  | Dark Chrome                    | 17 500 892-19 |
|  | Brushed Durabronze (23kt Gold) | 17 500 892-28 |
|  | Matte Black                    | 17 500 892-33 |
|  | Brushed Champagne (22kt Gold)  | 17 500 892-46 |
|  | Champagne (22kt Gold)          | 17 500 892-47 |
|  | Brushed Chrome                 | 17 500 892-93 |
|  | Brushed Dark Platinum          | 17 500 892-99 |

17 500 892

mm [inches]



Flow rate chart



Certificates

LGA\_18931.

17 500 892

Parts for other finishes can be found here: [Chrome](#)



Spare parts list

| No. | Item Number        | Name               | Quantity used | Delivery time |
|-----|--------------------|--------------------|---------------|---------------|
| 1   | 09 31 11 055 90    | pin                | 1             | 2             |
| 2   | 09 20 89 011-08    | handle             | 1             | 40            |
| 3   | 09 21 02 089-08    | sleeve             | 1             | 40            |
| 4   | 09 14 10 085 90    | seal               | 1             | 2             |
| 5   | 90 90 03 135 00 90 | top                | 1             | 2             |
| 6   | 90 23 01 068 01-08 | aerator            | 1             | 40            |
| 7   | 09 27 89 106-08    | rosette            | 1             | 40            |
| 8   | 90 14 10 032 00 90 | seal               | 1             | 2             |
| 9   | 04 23 10 010 88 90 | fixing set         | 1             | 2             |
| 10  | 90 23 30 040 00-08 | threaded connector | 1             | 40            |